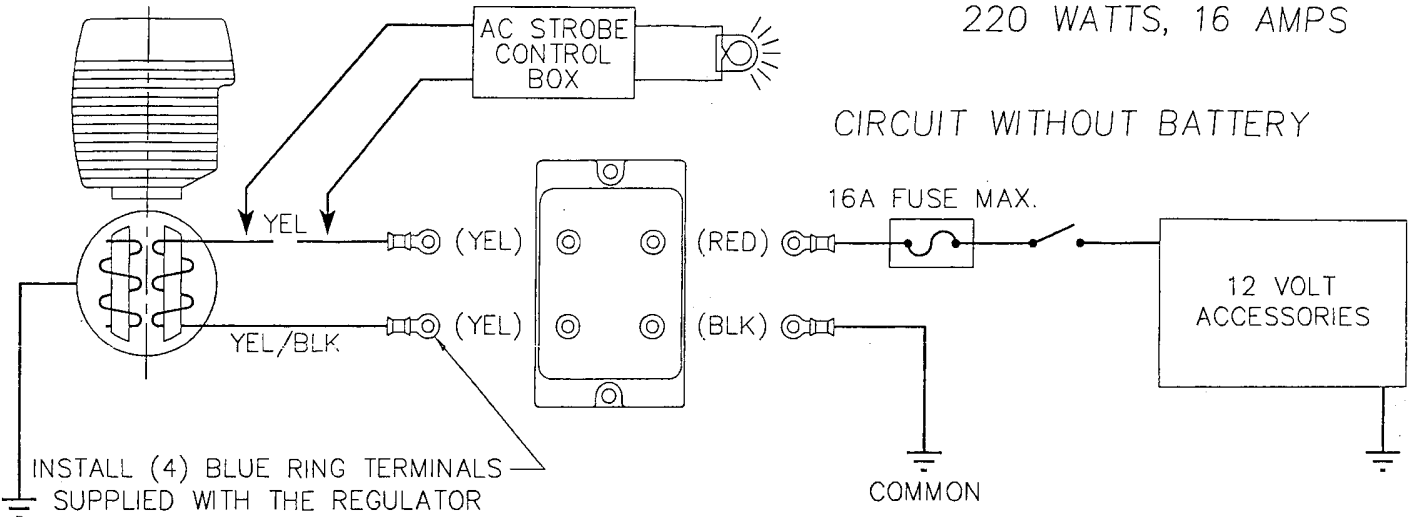


INPUT

FROM ENGINE LIGHTING COIL
15 - 100 VOLTS AC

OUTPUT

13.8 VOLTS DC
MAXIMUM POWER OUTPUT:
220 WATTS, 16 AMPS



INSTALL (4) BLUE RING TERMINALS
SUPPLIED WITH THE REGULATOR

CIRCUIT WITHOUT BATTERY

NOTE:

IF AN AC STROBE LIGHT SYSTEM IS USED, IT MUST BE WIRED IN SERIES WITH THE AC CIRCUIT AS SHOWN ABOVE.
**IF A KUNTZLEMAN AC STROBE IS USED, IT SHOULD BE WIRED IN PARALLEL.
REFER TO THE MANUFACTURER'S INSTRUCTIONS

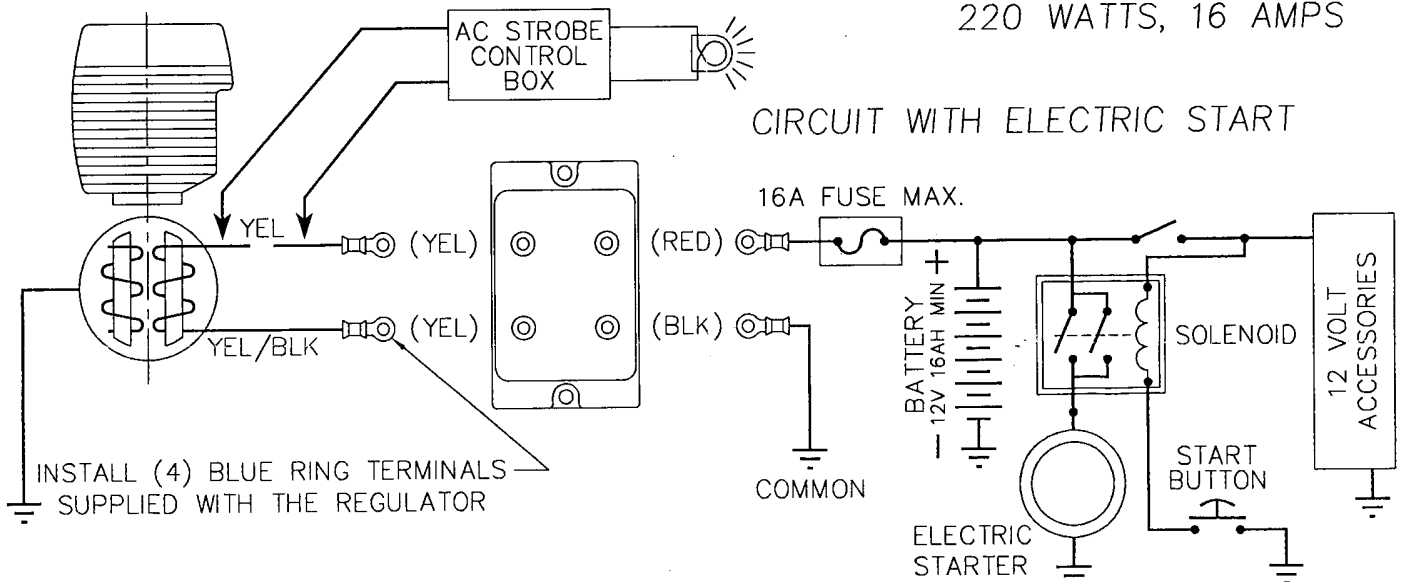
| | | | | |
|---|---------------|---------------|------------------|-------------|
| KEY WEST CONTROLS, INC. 1419 STATE ROUTE 45 SOUTH AUSTINBURG, OH 44010 U.S.A. PHONE: (440) 275-3191 | DRAWN | SUTCH | CHECKED WILLIAMS | APPR SEATON |
| | DATE: 1/11/95 | DATE: 1/11/95 | DATE: 1/12/95 | |
| TITLE: VOLTAGE REGULATOR/RECTIFIER WIRING DIAGRAM | | | | |
| MODEL NUMBER: 9400-0013 | | | | REV A |

INPUT

FROM ENGINE LIGHTING COIL
15 - 100 VOLTS AC

OUTPUT

13.8 VOLTS DC
MAXIMUM POWER OUTPUT:
220 WATTS, 16 AMPS



INSTALL (4) BLUE RING TERMINALS
SUPPLIED WITH THE REGULATOR

CIRCUIT WITH ELECTRIC START

NOTE:

IF AN AC STROBE LIGHT SYSTEM IS USED, IT MUST BE WIRED IN SERIES WITH THE AC CIRCUIT AS SHOWN ABOVE.
**IF A KUNTZLEMAN AC STROBE IS USED, IT SHOULD BE WIRED IN PARALLEL.
REFER TO THE MANUFACTURER'S INSTRUCTIONS

| | | | | |
|---|---------------|---------------|------------------|-------------|
| KEY WEST CONTROLS, INC. 1419 STATE ROUTE 45 SOUTH AUSTINBURG, OH 44010 U.S.A. PHONE: (440) 275-3191 | DRAWN | SUTCH | CHECKED WILLIAMS | APPR SEATON |
| | DATE: 1/11/95 | DATE: 1/11/95 | DATE: 1/12/95 | |
| TITLE: VOLTAGE REGULATOR/RECTIFIER WIRING DIAGRAM | | | | |
| MODEL NUMBER: 9400-0013 | | | | REV A |