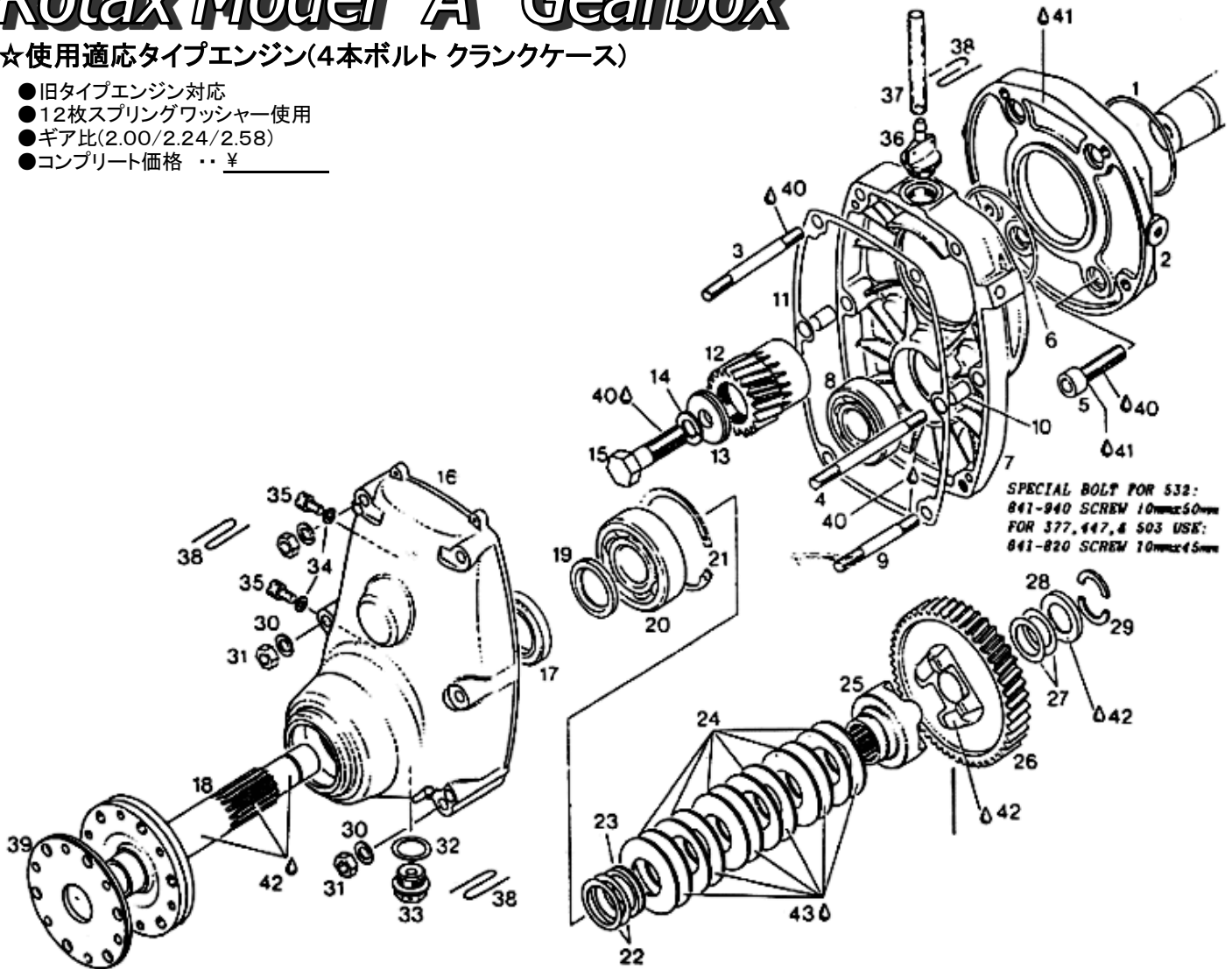


02<ROTAX GEAR BOX>

Rotax Model "A" Gearbox

★使用適応タイプエンジン(4本ボルト クランクケース)

- 旧タイプエンジン対応
- 12枚スプリングワッシャー使用
- ギア比(2.00/2.24/2.58)
- コンプリート価格 .. ¥ _____



No.	商品番号	品名	数	価格
1	850-430	O-ring	1	¥ 2,030
2	910-505	Adapter	1	
3	841-901	Stud 8x91,5	2	¥ 1,020
4	841-913	Stud 8x103,5	2	¥ 1,080
5	841-940	Screw 10x50 532	4	¥ 740
	841-820	Screw 10x45 503	4	¥ 570
6	850-360	O-ring	1	¥ 780
7	910-911	Gear Housing	1	
8	932-091	Bearing	1	¥ 5,910
9	841-881	Stud 8x75	2	¥ 1,180
10	929-670	Dowel	2	¥ 910
11	930-533	Gasket	1	¥ 1,310
12	886-200	Gear Set 2.58	1	¥56,570
	886-202	Gear Set 2.24	1	¥48,650
	886-204	Gear Set 2.00	1	¥67,400
13	827-786	Washer	1	¥ 1,990
14	945-766	Lockwasher	1	
15	841-656	Screw 1/2-20x50	1	¥ 1,240
16	910-371	Gear Cover	1	
17	850-055	Oil Seal	1	¥ 4,100
18	837-029	Shaft	1	
19	827-850	Distance Ring	1	¥ 2,300
20	932-820	Bearing	1	¥ 7,770
21	445-070	Retaining Ring	1	¥ 650

No.	商品番号	品名	数	価格
22	944-470	shim 0.2	Req.	¥ 300
	944-471	shim 0.3	Req.	¥ 250
	944-472	shim 0.5	Req.	¥ 250
	944-473	shim 1.0	Req.	¥ 250
	944-474	shim 1.5	Req.	¥ 250
23	847-621	Distance Ring	1	¥ 2,260
24	939-020	Disc Spring	12	¥ 740
25	958-771	Dog Hub	1	¥17,800
26	Must buy matched set		See #7	¥
27	944-469	Thrust Washer	2	¥ 300
28	827-841	Angular Ring	1	¥ 2,680
29	827-862	Ring Half	2	¥ 3,980
30	945-752	Lockwasher 8mm	6	¥ 30
31	242-209	Nut 8mm	6	¥ 80
32	552-280	Gasket Ring	1	¥ 360
33	840-270	Magnetic Plug	1	¥ 3,830
34	830-890	Gasket Ring	2	
35	841-781	Screw 6x10	2	¥ 730
36	941-115	Air Vent Screw	1	¥ 2,360
37	974-532	Vent line	1	
38	Safety Wire as Needed		Req.	¥
39	827-830	Cover Washer	1	¥ 6,420
40	Loctite		Req.	