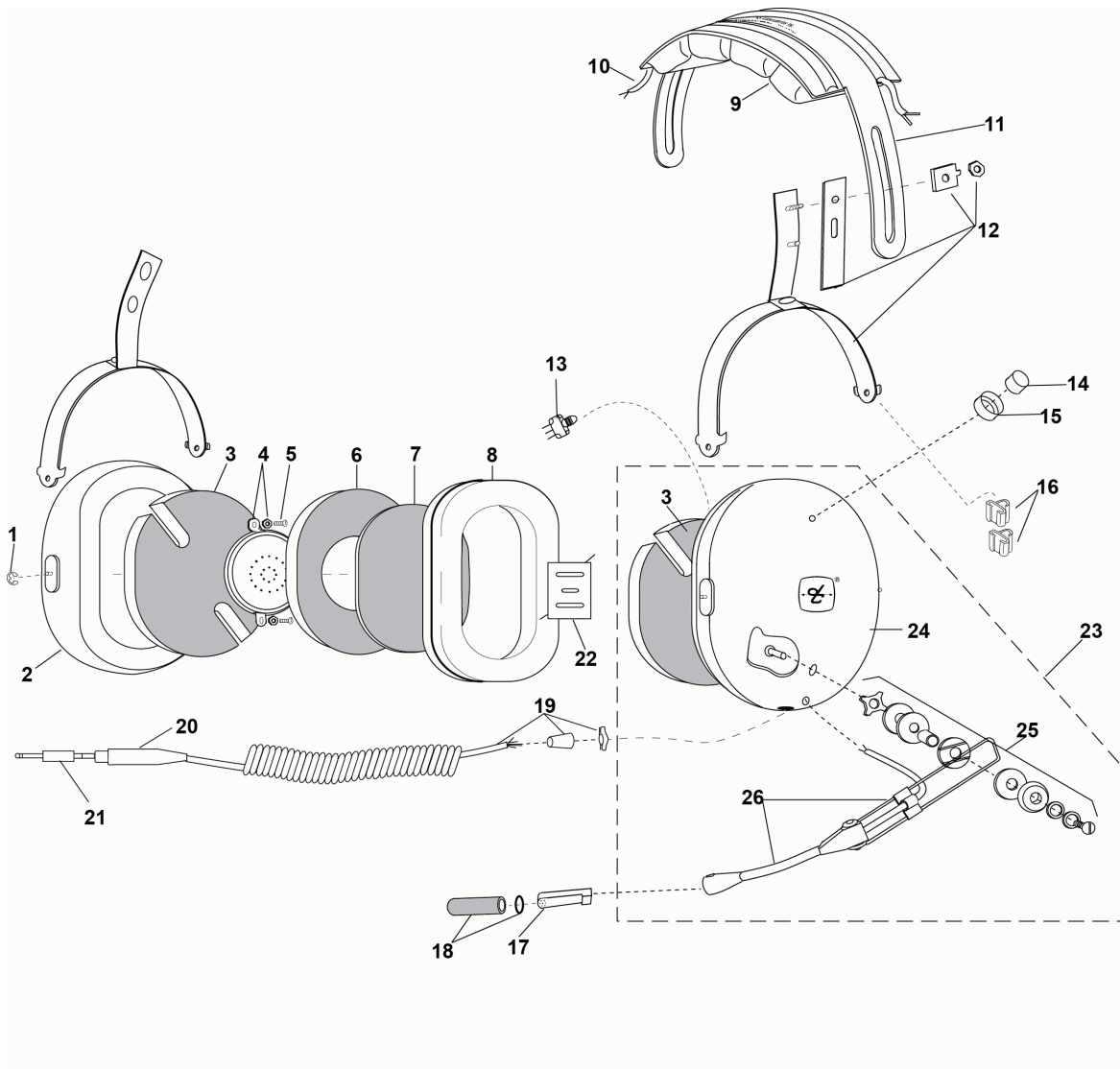




# David Clark COMPANY INCORPORATED

360 Franklin Street, Box 15054, Worcester, MA 01615-0054  
TEL.: (508) 751-5800 E-Mail: sales@DavidClark.com FAX: (508) 753-5827

## PARTS LIST MODEL H3432



No.	Description	Part No.
1	Retaining Ring (10/pk)	00009M-03
2	Right Dome	15253P-04
3	Dome Filter (1 each)	26475P-02
4	Earphone Assembly	10376G-20
5	Screw/Grommet Kit (4 pk)	18900G-47
6	Filter (1 each)	25629P-03
7	Filter (1 each)	14096P-09
8	Undercut Gel Earseal (pair)	40863G-02
9	Headpad Assy	40075G-02
10	Overhead Cord Kit	22607G-01
11	Headband Spring	15093P-01
12	Stirrup & Clamp Kit	22378G-12
13	Push Button Switch	09851P-17

No.	Description	Part No.
14	Switch Cap Kit	41090G-13
15	Switch Guard	13148P-01
16	Clip, Cord (4/pk)	15350P-02
17	M-7A Electret Mic	09168P-33
18	Mic Protector	40062G-02
19	Communication Cord Assy Kit	18028G-34
20	Bend Relief Sleeve	17836P-03
21	Electrical Connector Kit	18900G-42
22	PCB Assembly	18289G-13
23	Kit, Dome & Mic Boom	40688G-73
24	Left Dome	15253P-13
25	Boom Attachment Kit	12840G-09
26	Mic Boom & Cord Assy	18740G-05

ELECTRICAL SCHEMATIC  
MODEL H3432

