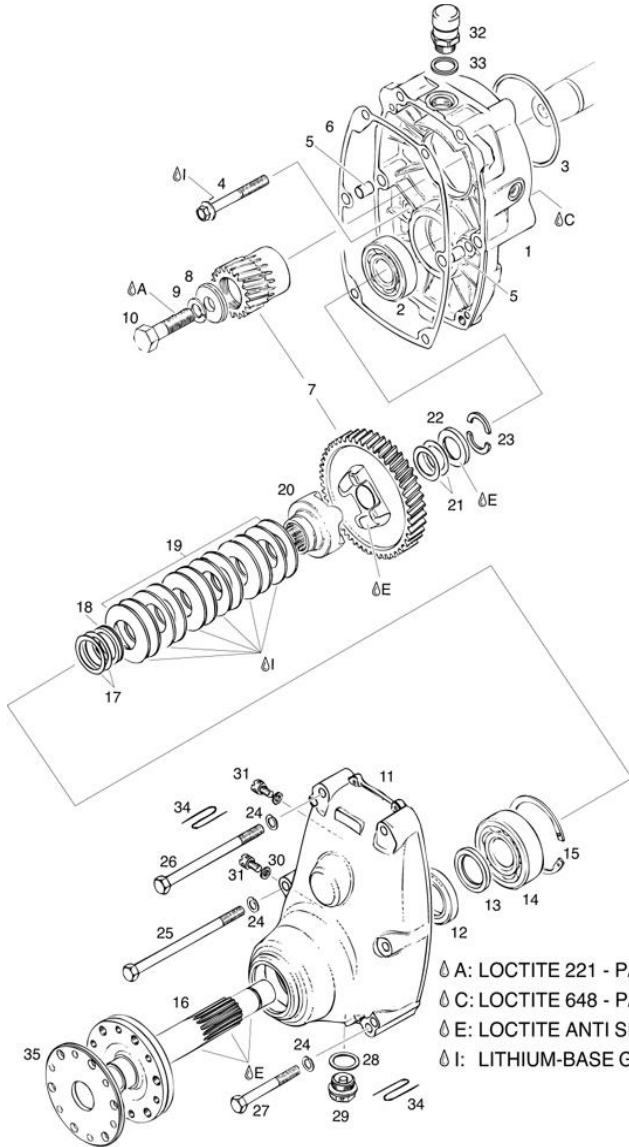


02<ROTAX GEAR BOX>

# Rotax Model "B" Gearbox

☆使用対応エンジン(8本ボルトクランクケース)

- 447 #3793688以降の製品番号
- 503 #3786750以降の製品番号
- 532 #3799005以降の製品番号
- 582全タイプ
- 618全タイプ
- ギア比(2.00/2.24/2.58)
- コンプリート価格 ¥ \_\_\_\_\_



Δ A: LOCTITE 221 - P/N 899-785  
 Δ C: LOCTITE 648 - P/N 899-788  
 Δ E: LOCTITE ANTI SIZE - P/N 297-434  
 Δ I: LITHIUM-BASE GREASE - P/N 897-330

FOR CHART BELOW:  
 a EXCHANGE DRIVE GEAR 19 T AND DOG GEAR 49 T ONLY TOGETHER.  
 b EXCHANGE DRIVE GEAR 21 T AND DOG GEAR 47 T ONLY TOGETHER.  
 c EXCHANGE DRIVE GEAR 20 T AND DOG GEAR 40 T ONLY TOGETHER.

No.	商品番号	品名	数	価格
1	810-109	Gear Housing	1	¥63,450
2	932-091	Ball Bearing 6304	1	¥ 7,830
3	850-430	O-Ring	1	¥ 2,690
4	841-306	Hex. Collar Screw 8x65mm	2	¥ 750
6	930-536	Gasket	1	¥ 1,850
7	886-200	Gear Set 2.58	1	¥76,500
7	886-202	Gear Set 2.24	1	¥90,320
7	886-204	Gear Set 2.00	1	¥80,700
8	827-786	Washer	1	¥ 3,460
9	945-765	Lock Washer 13	1	¥ 300
10	841-656	Hex. Screw	1	¥ 1,630
11	910-373	Gear Cover	1	¥62,580
12	850-055	Oil Seal 30x47x77.5	1	¥ 5,440
13	827-851	Distance Ring	1	¥ 3,050
14	932-820	Ball Bearing	1	¥10,300
15	445-070	Retaining ring 62x	1	¥ 850
16	837-024	Propeller Shaft	1	¥57,560
17	944-470	Shim 25.5/34/O,2	Req	¥ 390
17	944-471	Shim 25.5/34/O,3	Req	¥ 330
17	944-472	Shim 25.5/34/O,5	Req	¥ 330
17	944-473	Shim 25.5/34/1	Req	¥ 330
17	944-474	Shim	Req.	¥ 330
18	847-621	Distance Ring	1	¥ 4,570
19	939-020	Disk Spring 550	12	¥ 980
20	958-771	Dog Hub	1	¥23,610
21	944-469	Thrust Washer	2	¥ 390
22	827-841	Angular Ring	1	¥ 3,540
23	827-862	Ring Half	2	¥ 5,270
24	945-752	Lock Washer 8mm	6	¥ 30
25	941-350	Hex Screw 8x125	2	¥ 1,100
26	941-171	Hex Screw 8x110	2	¥ 600
27	841-301	Hex Screw 8x65	2	¥ 280
28	552-280	Gasket Ring	1	¥ 460
29	840-270	Magnetic Plug 18x1.5	1	¥ 5,080
30	230-415	Gasket Ring	2	¥ 260
31	841-781	Capstan Screw 6x10	2	¥ 970
32	941-115	Air Vent Screw	1	¥ 3,130
33	931-200	Gasket Ring	1	¥ 550
34		Safety wire		
35	827-830	Cover Washer	1	¥ 8,510
36		Loctite	Req.	

☆専用ギアオイル  
(SAE 80W-90)

#02-8090 ..... ¥1,860 (1ℓ)

※A. B. C. 及びEタイプのギアボックスに使用する専用ギアオイルです。

